

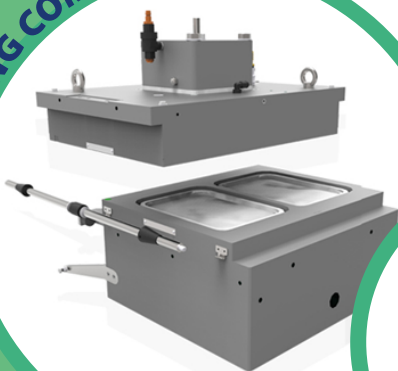
TRAY SEALING THOUGHT & DESIGNED FOR YOU

by MECAPACK

TRAYSEALER S2000 AUTOMATIC



TOOLING COMPATIBILITY



TO S1000



- + SIMPLICITY
- + RELIABILITY
- + COMPATIBILITY



S2000

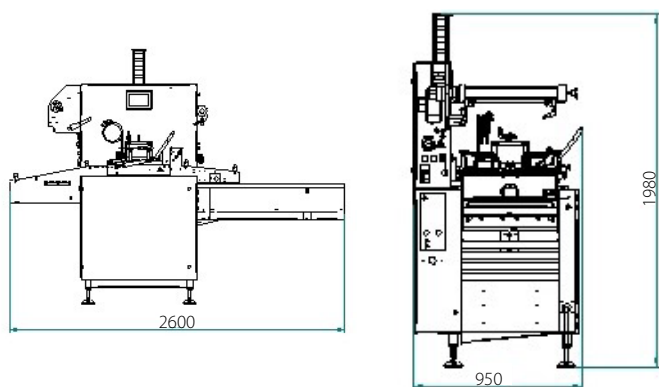
The traysealer for all your productions

HIGHLIGHT :

- Automatic traysealer with pushers traysealer
- Simple and reliable machine
- Quick tool change (10min)
- Tool compatibility with semi automatic on station tray sealer S1000
- Sealing power 3T
- Pneumatical sealing station with mechanical locking by rod

20 years
of experience
more than 1000
S2000 around
the world

DIMENSION :



ENERGY:

Elec. : 6 at 15 KW

Pneu : 15m³/h at 6 bars

Water : 100L/h (integrated cooling unit in option)

PROCESS :

Sealing | Vacuum and gas | Skin | ...

SPEED :

Up to : 12 cpm

OPTION :

Integrated cooling unit | Spotted printed film | Loading conveyor extension | Tray automatic and integrated denester | Integrated printing solution | Automatic filling solution | Integrated tray inliner | Top lid system | ...

INDICATIVE TRAY DIMENSION :

Pocket number	1	2	3	4
Lenght (mm)	420	305	305	305
Width (mm)	305	200	125	90
Hight (mm)*	90	100	100	100

*150 in option

SECTORS :

