

TRAYSEALING THOUGHT & DESIGNED FOR YOU

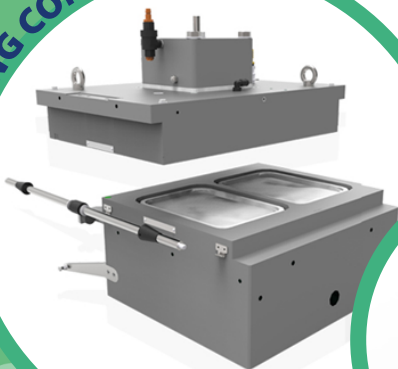
by **MECAPACK**

TRAYSEALER S1000

WORKSTATION



TOOLING COMPATIBILITY



TO S2000



- + SIMPLICITY
- + RELIABILITY
- + COMPATIBILITY

S1000

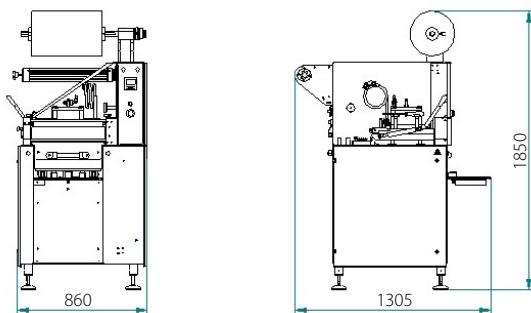
The traysealer for your first productions

HIGHLIGHT:

- Semi automatic on station tray sealer
- Simple and reliable machine
- Quick tool change (10min)
- Tool compatibility with automatic tray sealer S2000
- Sealing power 3T
- Pneumatical sealing station with mechanical locking by rod

20 years
of expérience
more than 1000
S1000 around
the world

DIMENSION :



ENERGY :

Elec. : 6KW

Pneu : 2m3/h at 6 bars

Water : 100L/h (integrated cooling unit in option)

PROCESS :

Sealing | Vacuum and gas | Skin | ...

SPEED :

Up to : 6 cpm

OPTION :

Integrated cooling unit

Spotted printed film

INDICATIVE TRAY DIMENSION :

Pocket number	1	2	3	4
Length (mm)	420	305	305	305
Width (mm)	305	200	125	90
Height (mm)	130	130	130	130

INDICATIVE TRAY DIMENSION :

Pocket number	1	2x2	2x3	2x4
Length (mm)	420	200	140	125
Width (mm)	305	140	125	90
Height (mm)	130	130	130	130

SECTORS :

